

SANITARY

SPL SERIES ROTARY LOBE PUMP

Performance
&
Quality



SPL SERIES



SPL SERIES

SPL SERIES ROTARY LOBE PUMP

SEPA KOREA CORP.

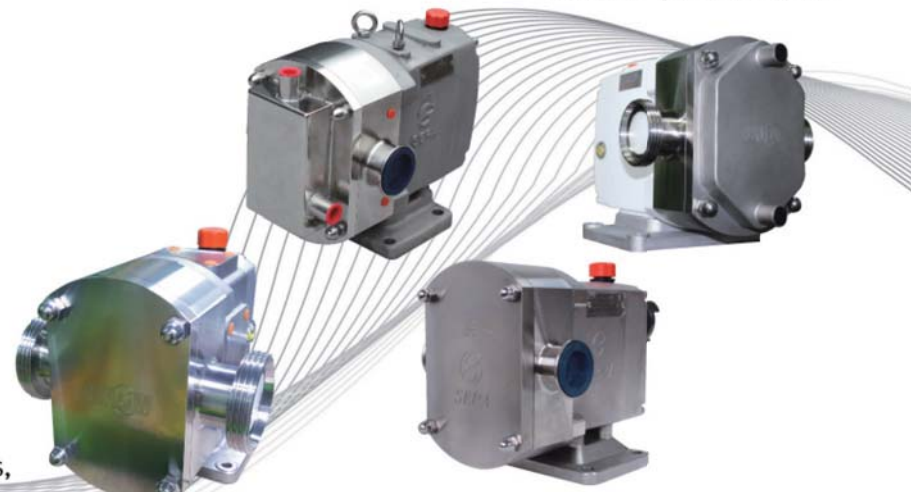
Has been engaged in the development and manufacture of sanitary pumps since 1985. SEPA KOREA, the originality of sanitary pumps, produces the reliable, good efficiency pumps and can offer high quality pumps at competitive prices. Advanced design, proper selection of materials and precision construction reflect this wide experience. Our pumps will give trouble-free operation with minimum maintenance and repair. "MAXIMIZE EFFICIENCY, MINIMIZE TROUBLE." is the SEPA KOREA's slogan

This catalogue is intended to provide the preliminary information of our pumps. For more detailed information on our pumps and technical assistance, please contact us at any time. We have experienced engineers available for pumps and related systems to assist you on pump selection, application, installation, operation, maintenance and the other technical information.



APPLICATIONS

- Bakery**
 Batters, Dough, Frostings, Fruit Fillings, Fats & Oil, Sweeteners, Yeast slurry
- Beverage**
 Alcohol & wines, Beer, Fruit Concentrates, Fruit Drinks, Soft Drinks, Wort, Yest
- Canning**
 Baby Foods, Soups, Stews, Slurries, Cream style Vegetables, Vegetable Diced, Fruit Puree, Potato Salad, Puddings, Jam, Jellies, Mayonnaise, Salad Dressings
- Cosmetics**
 Dyes, Alcohols, Face creams, Lotions, Essential oils, Hair styling gels & Liquids
- Pharmaceutical**
 Extracts, Emulsions, Pill Paste, Slurries, Syrups
- Dairy**
 Cheese Curd & Whey, Cottage cheese, Cream, Milk, Yogurt
- Meat Packing**
 Ground Meats, Meat-Emulsions, Pet Foods, Ruffle & Caul Fat



FEATURES

- Quantitative Transfer
- Simple Construction & Easy Maintenance
- Rotation Reversible
- Low Noise & Vibration
- Corrsion Resistant Material (SUS316 /316L)
- M/Seal : Single & Double (TC/TC, Sic/Sic)
- Applicable Fluid : Water, Beverage, Milk, Sauce, Pharmaceutical liquid, Juice, Alcohol, etc

CONNECTIONS

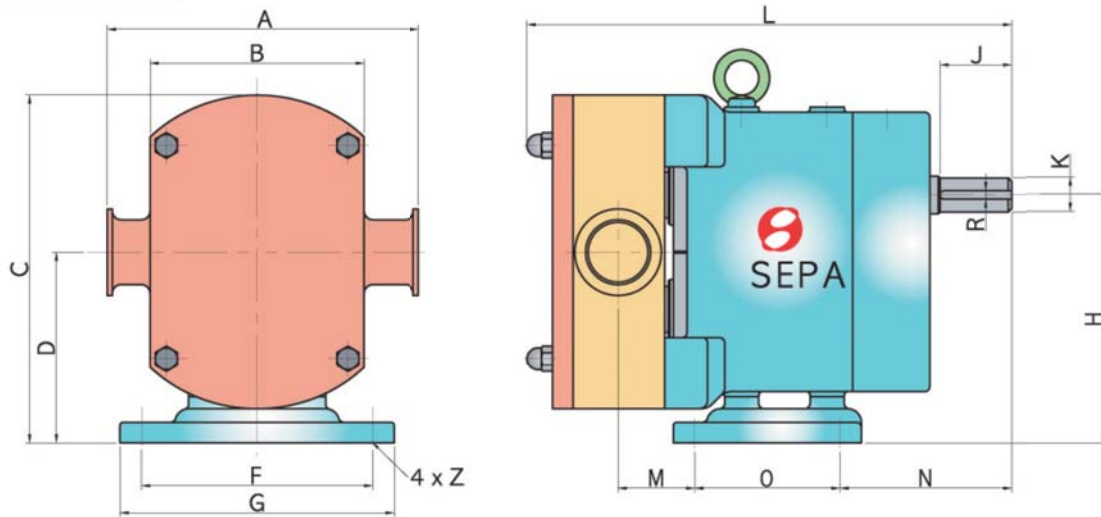
- IDF Male, ISO Clamp, 3A, SMS, DIN and Flange

STANDARD SPECIFICATIONS

MODEL	CONNECTION		CAPACITY (ℓ / 1 rev)	MAXIMUM SPEED (Rev/min)	MAX.ALLOW.PRESS	
	mm	Inches			BAR	PSI
SPL-25	25	1.0 S	0.09	800	10	145
SPL-50	40	1.5 S	0.11	800	10	145
SPL-90	50	2.0 S	0.19	800	10	145
SPL-100	40	1.5 S	0.22	500	10	145
SPL-150	50	2.0 S	0.32	500	10	145
SPL-250	50	2.0 S	0.60	500	10	145
SPL-410	80	3.0 S	1.00	500	10	145
SPL-510	100	4.0 S	1.60	450	8	115
SPL-620	100	4.0 S	2.10	350	10	145
SPL-750	125	5.0 S	3.20	350	8	115

SPL SERIES ROTARY LOBE PUMP

PUMP DIMENSION



MODEL	Port	A	B	C	D	F	G	H	J	K	L	M	N	O	R	Z
SPL-25	1.0 S	174	125	204	112	135	160	145.5	42	20	278	45	100.5	85	6	12
SPL-50	1.5 S	174	125	204	112	135	160	145.5	42	20	284	45	100.5	85	6	12
SPL-90	2.0 S	196	125	204	112	135	160	145.5	42	22	290	50.8	94.5	85	8	12
SPL-100	1.5 S	218	160	268	153	128	162	195	45	27	328	46	122	100	8	15
SPL-150	2.0 S	218	160	268	153	128	162	195	45	27	340	50	122	100	8	15
SPL-250	2.0 S	275	213	342	188.5	182	220	246	57	40	404	52	110	172	12	15
SPL-410	3.0 S	275	213	342	188.5	182	220	246	57	40	434	68	110	172	12	15
SPL-510	4.0 S	280	213	342	188.5	205	250	246	57	40	445	43	113	195	12	18
SPL-620	4.0 S	380	280	458	253	320	370	330	68	55	574	52	113	290	16	23
SPL-750	5.0 S	432	280	458	253	320	370	330	68	55	600	69	113	290	16	23



SEPA KOREA CORP.

Head Office & Factory

116-22, Juseok-ro, Namyang-eup, Hwaseong-si
Gyeonggi-do, 18255, KOREA

Sanitary Div T) +82)70-8769-6301, F) +82)31-356-7685

Pump Div T) +82)70-8769-2823

M.Seal Div T) +82)70-8769-6300

<http://www.sepakorea.com>

Agent

